

MODEL DPA2VIIL

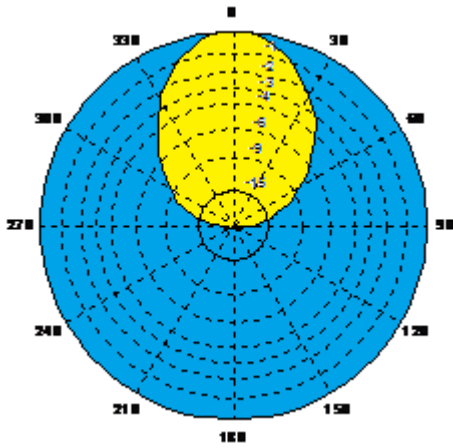
- BAND III VHF PANEL
- BROADBAND 174÷230 MHz
- 7.7 dB GAIN
- VERTICAL OR HORIZONTAL POLARIZATION
- DIRECTIONAL PATTERN
- SUITABLE AS COMPONENT ON VARIOUS ARRAYS
- EACH ANTENNA IS SEALED AND PRESSURIZABLE
- INPUT CONNECTOR IS NICKEL PLATED
- INTERNAL LINES ARE MADE OF BRASS AND SILVER PLATE
- ALSO AVAILABLE A DISMOUNTABLE VERSION
- THESE PANELS CAN BE USED IN VERTICAL OR HORIZONTAL POLARIZATION TO SET UP SYSTEMS HAVING DIRECTIVE, SEMIDIRECTIVE AND OMNIDIRECTIONAL DIAGRAMS
- SYSTEMS MADE UP WITH DPA2VIIL PANELS CAN BE DESIGNED ON CUSTOMER SPECIFICATIONS



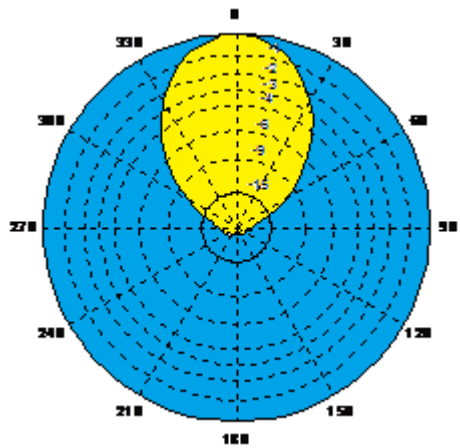
ELECTRICAL DATA		MECHANICAL DATA	
Frequency range	174÷230 MHz	Dimensions	1300x1260x694 mm
Impedance	50 Ohm	Weight	32 kg net
Connectors	7/8 EIA or 7/16"		
Max Power	2 Kw with 7/8" EIA flange		
VSWR	≤ 1.12:1	Wind load at 160 kmh	Frontal 529 N Lateral 78 N
Polarization	Vertical or horizontal	Max wind velocity survival	180 km/h.
Gain	7.7 dB (referred to half wave dipole)	Materials	Reflector: stainless steel Dipole: stainless steel Internal parts: brass,copper, contact silvering.
Half Power Beamwidth	E-Plane: ± 28° H-Plane: ± 28°		
Lightning protection	All metal parts DC grounded	Mounting	With special pipe clamps 50÷110 mm dia. Or other measure on request

RADIATION PATTERN (MID BAND)

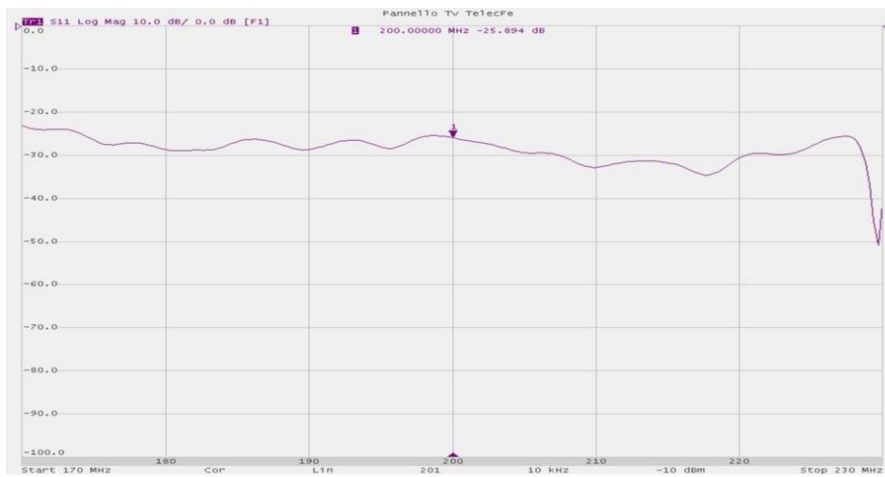
H-PLANE



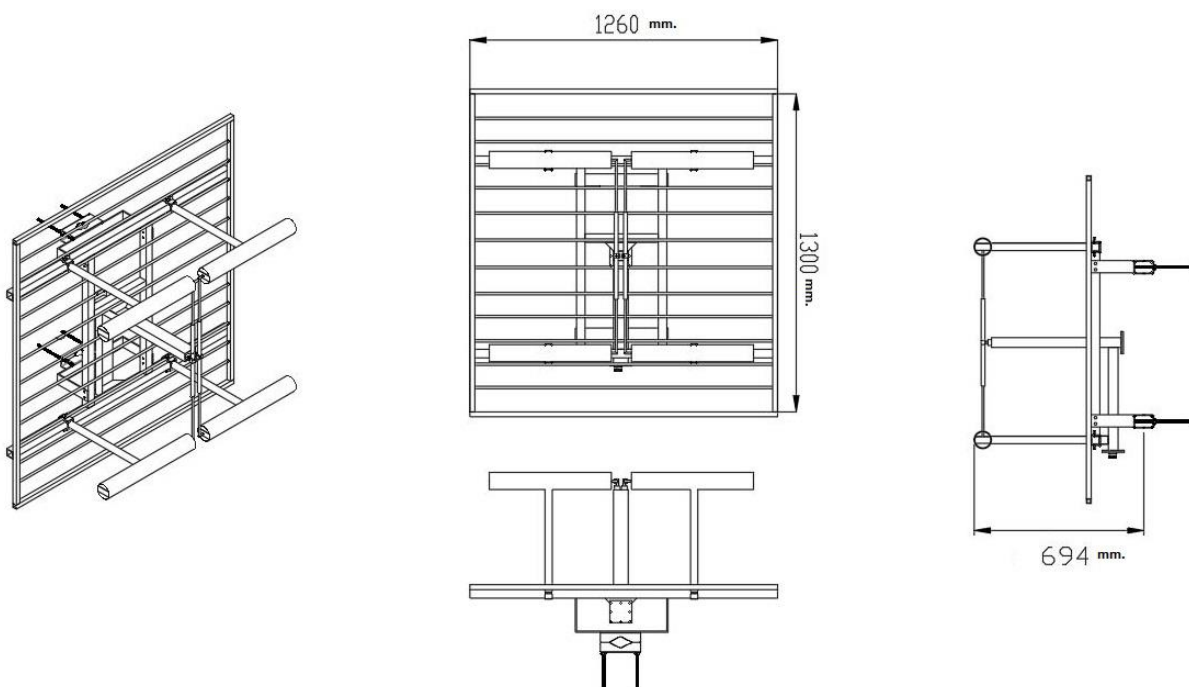
V-PLANE



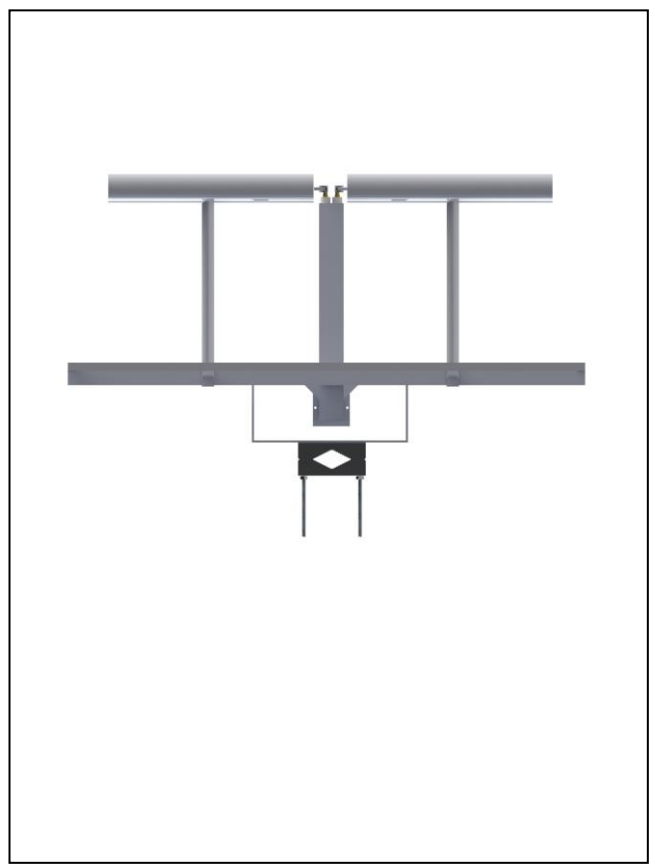
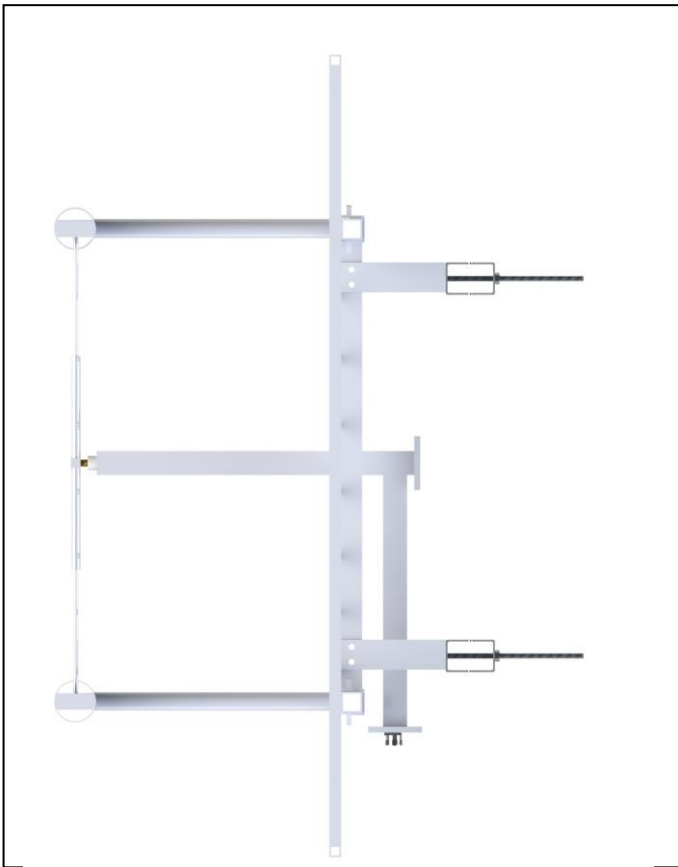
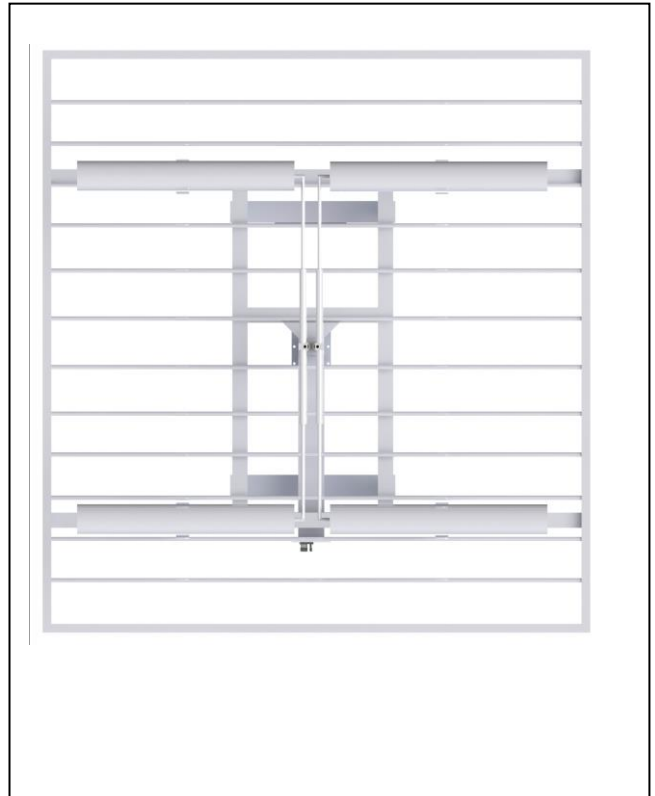
RETURN LOSS



Dimensions mm.



VARIOUS VIEW





R.V.R. ELETTRONICA S.p.a. – Via del Fonditore, 2/2c – Zona Roveri
40138 BOLOGNA – ITALY
TEL.: (+39) 051 6010506 FAX: (+39) 051 6011104
e-mail: info@rvr.it – <http://www.rvr.it>



TELECOMUNICAZIONI FERRARA SRL

Sales Office and Plants: Telecomunicazioni Ferrara S.r.l. Via Dei Calzolai, 156
44100 FRANCOLINO (FERRARA) – ITALY
TEL. : (+39) 0532.72.40.33 FAX: (+39) 0532.72.48.19
E-Mail: info@telecf.it www.telecf.it

The firm reserve the right to change without prior notice the information contained in this brochure. Whilst every effort is made to ensure that details are correct at time of print, the firm cannot be held responsible for any error.

The manufacturer is not liable for any lost profits, damage or claims from third parties incurred due to the use of this manual or the products described in this manual.

Il fabbricante non è responsabile per danni, perdite di profitto o qualsiasi pretesa da terze parti incorsi, dovuti all'uso di questo manuale o dei prodotti descritti nel presente manuale.