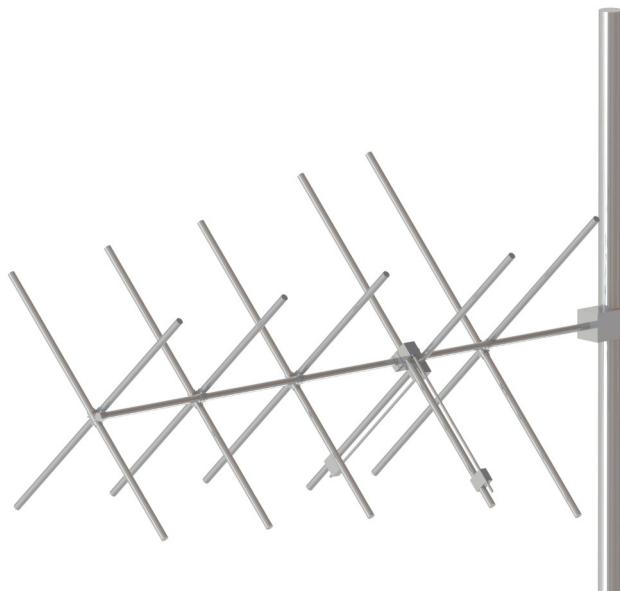


Model AJ5EC

- FM Band 87.5 | 108 MHz
- Suitable for VHF, FM Band
- Gamma Match Tuned
- Directional pattern
- Circular polarization
- Demountable



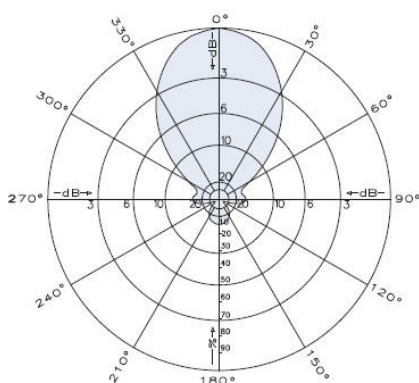
ELECTRICAL DATA

Frequency range	87.5 - 108 MHz tunable
Impedance	50 Ohm
Connectors	N or 7/16" female or 7/8" EIA
Max Power	1400W (2 - N) - 2300W (2 - 7/16" - H.P. Version)
VSWR	≤ 1.1:1 in the operating channel
Polarization	Circular
Gain	4.7 dB (referred to half-wave dipole total gain)
Pattern	E plane ± 30° H plane ± 30°
Lightning protection	No DC grounded

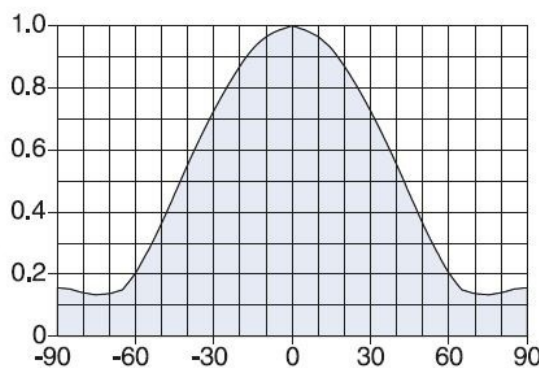
MECHANICAL DATA

Dimensions	According to the working frequency 1500 (H) x 2250 (L) x 1050 (W) mm at 98 MHz
Weight	According to the working frequency (aluminium or stainless steel)
Wind surface	0.43 m ² (at 98 MHz)
Wind load	50 kg (wind speed at 140 km/h)
Max wind velocity	140 km/h (AJ5E/IT model)
Materials	AJ5EC: Aluminium elements and boom Teflon insulator Radome: fiberglass (option)
Icing protection	Feed point radome (optional)
Radome	Optional
Mounting	With special pipe clamps 110 mm dia.

RADIATION PATTERN (MID BAND)

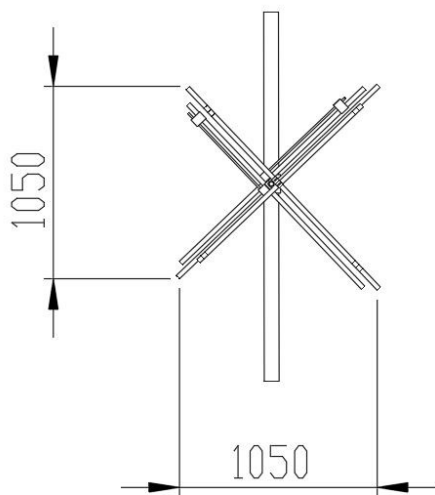
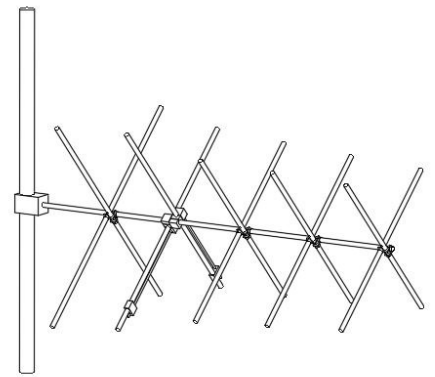
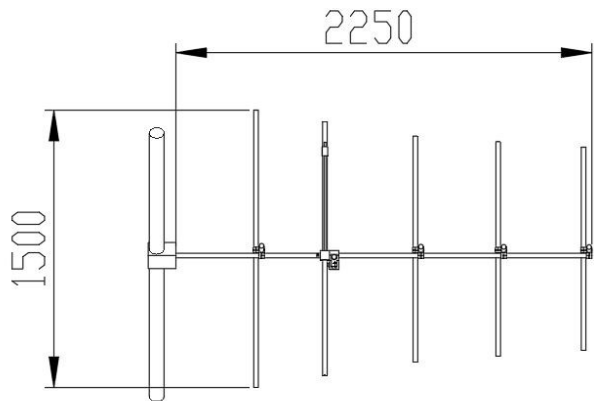


Azimuth pattern



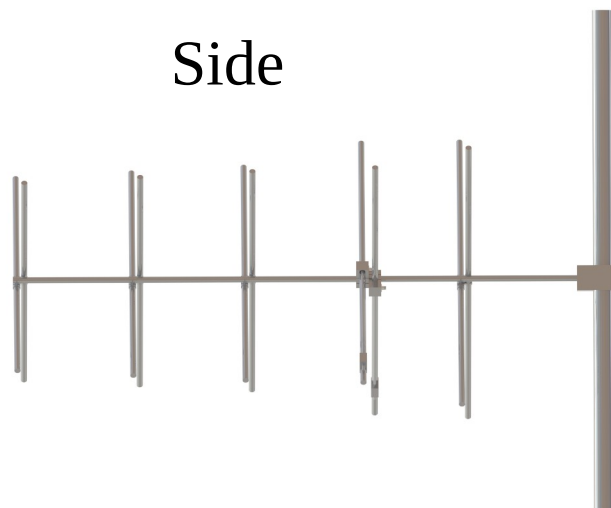
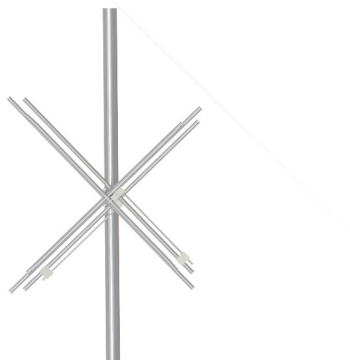
Elevation pattern

Model AJ5EC dimensions mm.



Front

Side



Antenna wind load is calculated for 100 Mph (160Km/h) per EIA-222-C standard. "These specifications are subject to change without notice"