

Model AJ2EC

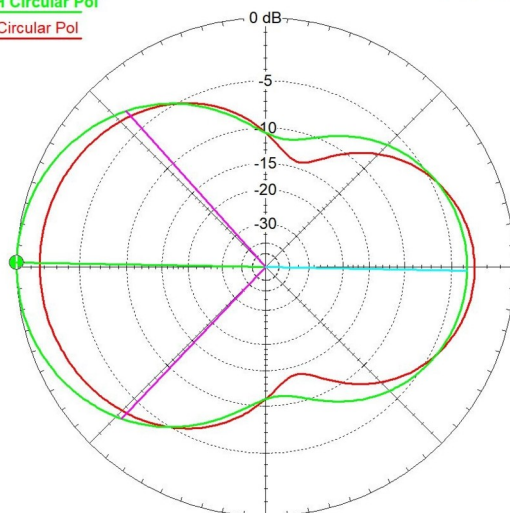
- FM Band 87.5 | 108 MHz tunable
- Suitable for VHF, FM Band
- Gamma Match Tuned
- Directional pattern
- Circular polarization
- Demountable



ELECTRICAL DATA	
Frequency range	87.5 - 108 MHz tunable
Impedance	50 Ohm
Connectors	N or 7/16" female or 7/8" EIA
Max Power	1400W (2 - N) - 2300W (2 - 7/16" - H.P. Version)
VSWR	≤ 1.1:1 in the operating channel
Polarization	Circular
Gain	3.2 dBd peak gain 0.3 dBd total gain
Lightning protection	No DC grounded

MECHANICAL DATA	
Dimensions	According to the working frequency
Weight	According to the working frequency (aluminium or stainless steel)
Wind surface	0.23 m ² (at 98 MHz)
Wind load	20 kg (wind speed at 140 km/h)
Max wind velocity	140 km/h (AJ2E/IT model)
Materials	AJ2EC: Aluminium elements and boom Teflon insulator Radome: fiberglass (option)
Icing protection	Feed point radome (optional)
Radome	Optional
Mounting	With special pipe clamps 110 mm dia.

* RH Circular Pol
LH Circular Pol

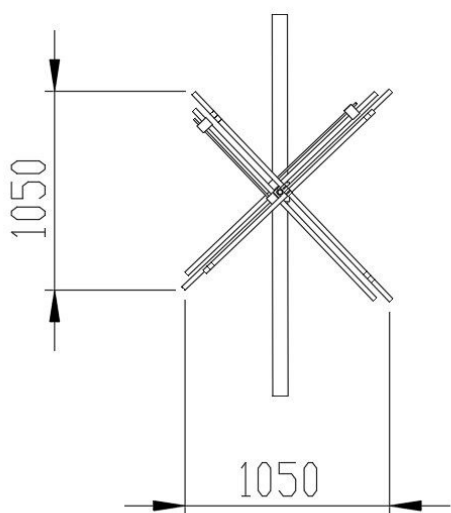
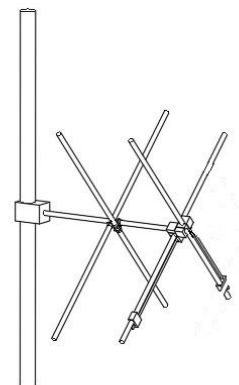
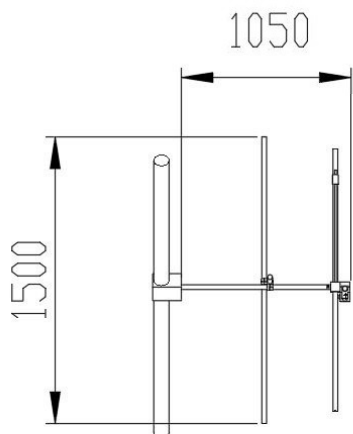


RADIATION PATTERN (MID BAND)

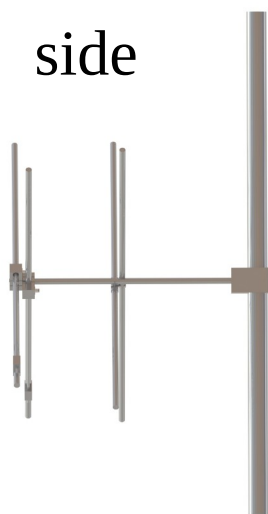
98 MHz

"These specifications are subject to change without notice"

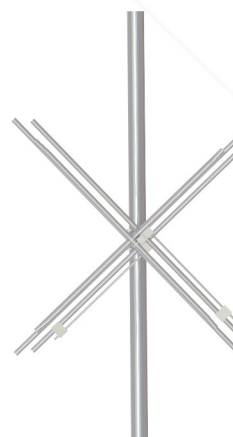
Model AJ2EC dimensions mm.



side



front



Antenna wind load is calculated for 100 Mph (160Km/h) per EIA-222-C standard. "These specifications are subject to change without notice"